

ARS 170

SOIL COMPACTOR
EU Stage V / US EPA Tier 4 Final

EXCELLING WHEREVER IT GOES

The compact design of Ammann ARS Soil Compactors improves manoeuvrability and flexibility, making the machines exceptionally productive. Safety is maximised through a new cab design that provides operators with 360° visibility and an intuitive, conveniently located control display. The proprietary ACE^{force} Intelligent Compaction system, which offers absolute compaction measurement and optional documentation, improves efficiency and quality. The availability of a wider range of centrifugal forces make the machine a perfect fit for many applications and varied materials.

PRODUCTIVITY

- High compaction output - faster compaction of thicker layers in fewer passes
- No-rear-axle concept – optimal stability and low center of gravity, which significantly improves safety on jobsites
- Variable range of vibration frequencies for added versatility
- ACE^{force} Intelligent Compaction tool for higher compaction efficiency

ERGONOMICS

- Spacious, quiet cab with integrated ROPS structure
- New multifunctional display for intuitive machine control and operation
- Excellent machine visibility with 360° view to machine edges and surroundings
- Innovative travel lever with speed adjustment and wider machine speed range (newly 5+1 speed instead of 3+1)

SERVICEABILITY

- All service points and engine compartment accessible from the ground
- Wide-opening rear hood for easy and fast daily maintenance
- Tilttable cab for exceptional access to main hydraulic components, which significantly reduces labour
- ECOdrop – machine efficiency and reductions in fuel consumption and required fluids

APPLICATIONS

- Medium and large jobsites
- Railways
- Harbours
- Motorways
- Structure backfill work
- Airfields
- Industrial zones
- Dumpsite construction

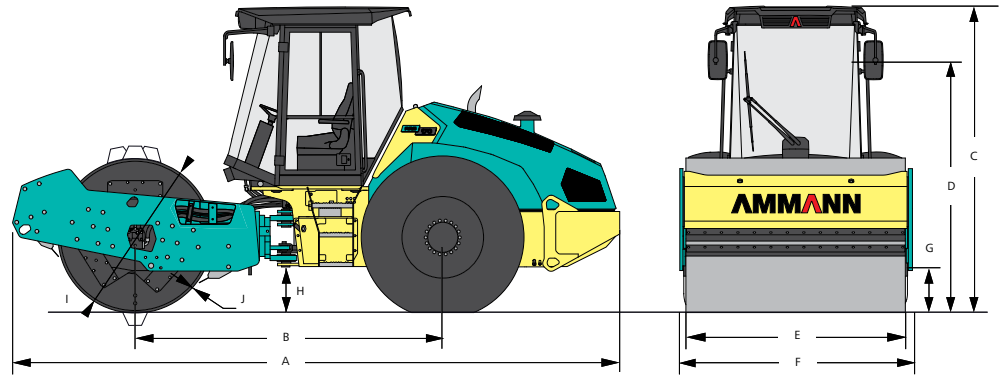
MAXIMUM RECOMMENDED COMPACTED LIFT THICKNESS AT OPTIMAL WORKING CONDITIONS

	Rockfill	Sand / Gravel	Mixed Soils	Silt	Clay
ARS 170	* 1400 mm (55 in)	* 900 mm (35 in)	* 800 mm (31 in)	600 mm (24 in)	320 mm (13 in)
ARS 170 (PD)	-	-	* 800 mm (31 in)	* 600 mm (24 in)	* 370 mm (15 in)

* Recommended drum type

AMMANN

TECHNICAL SPECIFICATIONS
ARS 170 SOIL COMPACTOR
EU Stage V / US EPA Tier 4 Final



DIMENSIONS

A	MACHINE LENGTH	6002 mm (236.3 in)
B	WHEELBASE	3040 mm (119.7 in)
C	MACHINE HEIGHT	2970 mm (116.9 in)
D	MACHINE HEIGHT (REMOVED ROPS)	2200 mm (86.6 in)
E	DRUM WIDTH	2130 mm (83.9 in)
F	MACHINE WIDTH	2260 mm (89 in)
G	CURB CLEARANCE	408 mm (16.1 in)
H	GROUND CLEARANCE	450 mm (17.7 in)
I	DRUM DIAMETER	1500 mm (59.1 in)
J	DRUM THICKNESS	35 mm (1.4 in)

WEIGHT & OPERATING CHARACTERISTICS

	ARS 170	ARS 170 (PD)
OPERATING WEIGHT	16 340 kg (36 070 lb)	16 555 kg (36 500 lb)
MAXIMUM WEIGHT	18 015 kg (39 720 lb)	16 715 kg (36 850 lb)
STAT. LIN. LOAD OF FRONT DRUM	50.4 kg (282.2 lb)	-
PAD CONTACT SURFACE	-	120 cm ² (18.6 sq in)
PAD HEIGHT	-	100 mm (3.9 in)
MAX. TRANSPORT SPEED	12.7 km/h (7.9 MPH)	12.7 km/h (7.9 MPH)
MAX. WORKING SPEED	6.5 km/h (4 MPH)	6.5 km/h (4 MPH)
CLIMBING ABILITY WITHOUT / WITH VIBRATION	55% / 52%	56% / 53%
TURNING RADIUS (INNER)	3570 mm (140.6 in)	3570 mm (140.6 in)

STANDARD EQUIPMENT

- CE conformity
- Cab with ROPS structure
- Smooth drum with steel scrapers
- Multiple frequencies / 2 amplitudes vibration system
- External draining points
- Working headlights (front and rear)
- Inter wheel flow divider
- Ergonomic and suspended operator seat
- Multifunctional operator display

ENGINE

MANUFACTURER	Deutz TCD 4.1L4
POWER ACCORDING TO ISO 14396	115 kW (154 HP)
EXHAUST GAS AFTER-TREATMENT	DOC+DPF+SCR
	EU Stage V / US EPA Tier 4 Final

COMPACTION FORCES

	ARS 170	ARS 170 (PD)
FREQUENCY I	28 Hz (1680 VPM)	28 Hz (1680 VPM)
FREQUENCY II	35 Hz (2100 VPM)	35 Hz (2100 VPM)
AMPLITUDE I	2.23 mm (0.088 in)	2.14 mm (0.084 in)
AMPLITUDE II	0.95 mm (0.037 in)	0.91 mm (0.036 in)
CENTRIFUGAL FORCE I	333 kN (74 861.4 lbf)	333 kN (74 861.4 lbf)
CENTRIFUGAL FORCE II	222 kN (49 907.6 lbf)	222 kN (49 907.6 lbf)

MISCELLANEOUS

BRAKES OPERATING	Hydrostatic
BRAKES PARKING	Multiple-disc spring brake
BRAKES EMERGENCY	Multiple-disc spring brake
FUEL TANK CAPACITY	345 l (91.1 gal)

OPTIONAL EQUIPMENT

- Air-conditioning (cab version only)
- Drum - PD version / steel scrapers
- Drum - PD shell kit / steel scrapers
- Smooth drum - vulcalon scrapers
- ACE^{force} - Ammann Compaction Expert
- HX drive
- ATC (Ammann Traction Control)
- Warning beacon
- Backup alarm